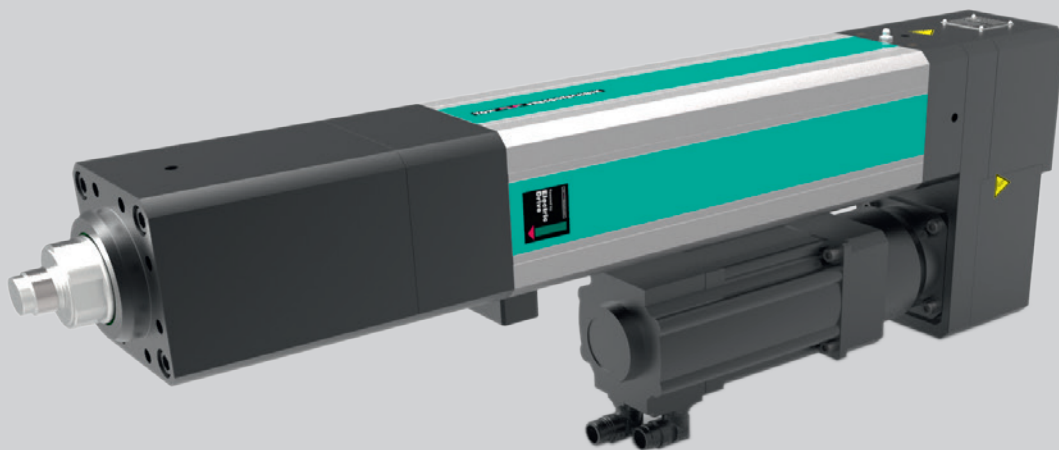


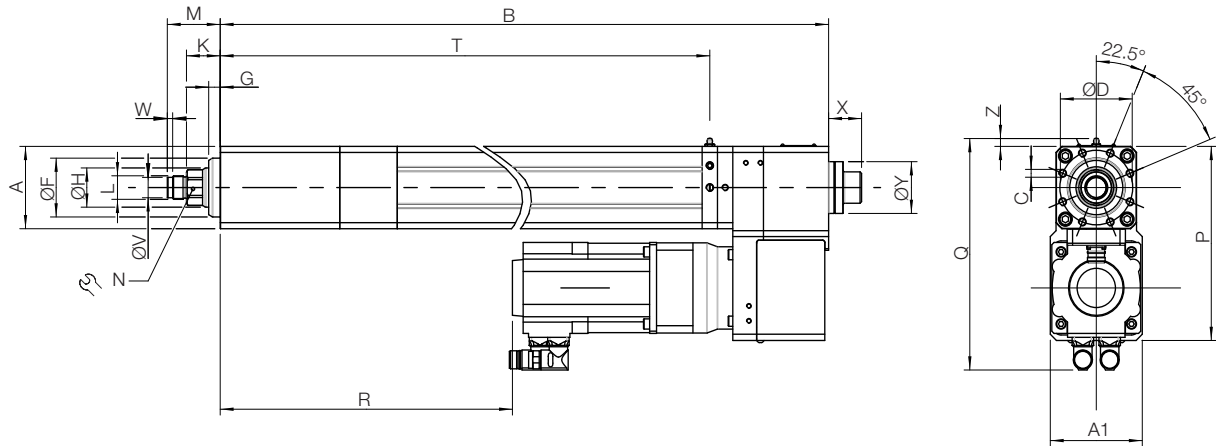
TOX®-ElectricDrive Type EQ-K

Data sheet 40.40
2019/10



TOX[®]-ElectricDrive servo drive

Type EQ-K, 2 – 100 kN with ball screw



Dimensions and weights

Preferred series (short delivery time)

Type	Stroke length mm	Max. nominal force kN	Weight approx. kg
EQ-K 002.XXX.150	150	2	13.5
EQ-K 002.XXX.250	250	2	14.5
EQ-K 005.XXX.150	150	5	19
EQ-K 005.XXX.300	300	5	21
EQ-K 010.XXX.150	150	10	37
EQ-K 010.XXX.300	300	10	39
EQ-K 010.XXX.450	450	10	41
EQ-K 030.XXX.150	150	30	61
EQ-K 030.XXX.300	300	30	65
EQ-K 030.XXX.450	450	30	69
EQ-K 060.XXX.150	150	60	99
EQ-K 060.XXX.300	300	60	102
EQ-K 060.XXX.450	450	60	105
EQ-K 100.XXX.150	150	100	168
EQ-K 100.XXX.300	300	100	178
EQ-K 100.XXX.450	450	100	188

Type	A	A1	B	C	D	F _T	G	H	K ¹⁾	L	M ¹⁾	N	P	Q	R	T	V ₀₆	W	X	Y	Z
EQ-K 002.XXX.150	70	70	475	8x M6x12	60	50	10	25	24	M12x1.5	36	22	160	201	254	547	-	-	33	42	10
EQ-K 002.XXX.250	70	70	575	8x M6x12	60	50	10	25	24	M12x1.5	36	22	160	201	354	647	-	-	33	42	10
EQ-K 005.XXX.150	70	70	606	8x M6x12	60	50	10	30	28	M12x1.5	40	27	162	206	280	497	-	-	33	42	10
EQ-K 005.XXX.300	70	70	756	8x M6x12	60	50	10	30	28	M12x1.5	40	27	162	206	430	647	-	-	33	42	10
EQ-K 010.XXX.150	90	90	703	8x M8x16	80	65	10	40	26	M22x2	46	36	198	253	308	585	18	7	35	52	10
EQ-K 010.XXX.300	90	90	853	8x M8x16	80	65	10	40	26	M22x2	46	36	198	253	458	735	18	7	35	52	10
EQ-K 010.XXX.450	90	90	1003	8x M8x16	80	65	10	40	26	M22x2	46	36	198	253	608	885	18	7	35	52	10
EQ-K 030.XXX.150	105	120	817	8x M10x20	95	75	15	50	44	M30x2	69	41	248	296	405	662	26	7	43	66	10
EQ-K 030.XXX.300	105	120	967	8x M10x20	95	75	15	50	44	M30x2	69	41	248	296	555	812	26	7	43	66	10
EQ-K 030.XXX.450	105	120	1117	8x M10x20	95	75	15	50	44	M30x2	69	41	248	296	705	962	26	7	43	66	10
EQ-K 060.XXX.150	130	130	875	8x M12x24	115	90	17	60	42	M30x2	67	55	295	336	382	702	26	7	46	75	10
EQ-K 060.XXX.300	130	130	1025	8x M12x24	115	90	17	60	42	M30x2	67	55	295	336	532	852	26	7	46	75	10
EQ-K 060.XXX.450	130	130	1175	8x M12x24	115	90	17	60	42	M30x2	67	55	295	336	682	1002	26	7	46	75	10
EQ-K 100.XXX.150	160	160	1000	8x M16x32	135	105	17	75	42	M39x2	77	65	345	378	439	789	-	-	58	90	10
EQ-K 100.XXX.300	160	160	1150	8x M16x32	135	105	17	75	42	M39x2	77	65	345	378	589	939	-	-	58	90	10
EQ-K 100.XXX.450	160	160	1300	8x M16x32	135	105	17	75	42	M39x2	77	65	345	378	739	1089	-	-	58	90	10

Dimensions in mm

Specifications EQ-K	002	005	010	030	060	100
Mechanical						
Nominal pressing force	2 kN	5 kN	10 kN	30 kN	60 kN	100 kN
Nominal pulling force	2 kN	3 kN	3 kN	8 kN	17 kN	30 kN
Max. speed	300 mm/s	220 mm/s	220 mm/s	200 mm/s	150 mm/s	150 mm/s
Repeatability ²⁾	± 0.01 mm					
Max. tool weight without brake ⁴⁾ with safety brake / motor holding brake	5 kg 25 kg	10 kg 75 kg	15 kg 125 kg	25 kg 300 kg	40 kg 500 kg	45 kg 850/1000 kg
Sensors						
Measuring range force transducer ³⁾	without force transducer	0.25 – 5 kN	0.5 – 10 kN	1.5 – 30 kN	3 – 60 kN	5 – 100 kN
Accuracy	■ ≤ ± 1 % of nominal pressing force					
Resolver	■ ■ ■ ■ ■ ■					
Resolution (theoretically)	0.00247 mm	0.00123 mm	0.00158 mm	0.00148 mm	0.00123 mm	0.00148 mm
Electrical						
Protection class	IP54					
Mains supply	see servo controller					
Climatic conditions	+ 10° to + 40° C, from 40° C performance loss, max. 55° C; air moisture < 75 %, without condensation					

¹⁾ Dimension refers to zero position of drive. Reference position = zero position - 3 mm.

²⁾ In thermal transient condition

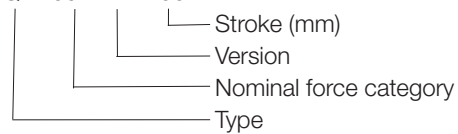
³⁾ Recommended operating range 5 – 100 %

⁴⁾ For higher weights, the tool can sink in de-energized condition

A wide range of accessories is available for the servo drive type EQ-K (see data sheet 40.90, TOX®-ElectricDrive Accessories).

Ordering example

EQ-K 002.XXX.250



Version

- 003 Basic version
- 004 Safety brake
- 005 Safety brake with rotary encoder
- 006 Motor holding brake